

ZAXIS-6 series

HITACHI

Reliable solutions

TELESCOPIC ARM

16.5 meter

A P P L I C A T I O N & A T T A C H M E N T



ZAXIS135us

Model Code	ZX135US-6
Engine Rated Power	78.5 kW (ISO14396)
Operating Weight	16 500 kg

DEMAND PERFECTION

Built to the same high standards as all Hitachi construction equipment, the ZX135US-6 excavator with telescopic arm has been developed to perfection. Thanks to its speedy performance, excellent stability and compact size, it is ideal for below-ground excavation on narrow job sites in urban environments.

Manufactured to meet the demands of European customers, the user-friendly ZX135US-6 is also easy to transport and maintain. It includes various features and options for enhanced safety and productivity.



Improved safety
Optional zoom camera enhance visibility.



Increased productivity
Short cycle times, due to an exclusively designed hydraulic circuit, ensure high levels of productivity.



Minimal workspace
The ZX135US-6 occupies half the space of the largest model in the telescopic arm range, the ZX350LC-6.



Additional protection

The fall prevention guard ensures a safe operation.



Extended working range

The telescopic arm reaches to a maximum depth of 16.5m.



Exceptional stability

The 4.3 tonne counterweight is heavier than on the standard model.



EXCEPTIONAL PRODUCTIVITY

The ZX135US-6 with telescopic arm is a highly efficient and cost-effective machine developed for extracting and removing soil on below-ground excavation projects. Its compact size is perfectly suited to urban job sites where space is limited, and its smooth and fast operation ensures high levels of productivity.

Compact and efficient

The compact size of the ZX135US-6 is particularly advantageous when working in confined urban environments, when deep excavation is required. It takes up less than half of the space of the ZX350LC-6, the largest model in the telescopic arm range.

Stable and safe operation

Safety is enhanced by the fall prevention guard and the optional zoom camera installed on the arm. This enhances the visibility of the operator, and the view can be easily adjusted using the monitor in the cab. For superior stability, the ZX135US-6 with telescopic arm has a heavier counterweight than the standard model.



Optional zoom camera enhances visibility.



SPECIFICATIONS

ENGINE

Model	Isuzu AR-4JJ1X
Type	4-cycle water-cooled, common rail direct injection
Aspiration	Variable geometry turbocharged, intercooled, cooled EGR
Aftertreatment	DOC and SCR system
No. of cylinders	4
Rated power	
ISO 14396	78.5 kW at 2 000 min ⁻¹
ISO 9249, net	74.9 kW at 2 000 min ⁻¹
SAE J1349, net	74.9 kW at 2 000 min ⁻¹
Maximum torque	375 Nm at 1 800 min ⁻¹
Piston displacement	2,999 L
Bore and stroke	95.4 mm x 104.9 mm
Batteries	2 x 12 V / 58 Ah

HYDRAULIC SYSTEM

Hydraulic pumps

Main pumps	2 variable displacement axial piston pumps
Maximum oil flow	2 x 117 L/min
Pilot pump	1 gear pump
Maximum oil flow	33.6 L/min

Hydraulic Motors

Travel	2 variable displacement axial piston motors
Swing	1 axial piston motor

Relief Valve Settings

Implement circuit	34.3 MPa
Swing circuit	32.3 MPa
Travel circuit	34.3 MPa
Pilot circuit	3.9 MPa
Power boost	36.3 MPa

Hydraulic Cylinders

High-strength piston rods and tubes. Cylinder cushion mechanisms provided in boom and arm cylinders to absorb shock at stroke ends.

UPPERSTRUCTURE

Revolving Frame

D-section frame for resistance to deformation.

Swing Device

Axial piston motor with planetary reduction gear is bathed in oil. Swing circle is single-row. Swing parking brake is spring-set/hydraulic-released disc type.

Swing speed	10.1 min ⁻¹
Swing torque	33 kNm

Operator's Cab

Independent spacious cab, 1 005 mm wide by 1 675 mm high, conforming to ISO* Standards.

* International Organization for Standardization

UNDERCARRIAGE

Tracks

Tractor-type undercarriage. Welded track frame using selected materials. Side frame welded to track frame. Lubricated track rollers, idlers, and sprockets with floating seals.

Track shoes with triple grousers made of induction-hardened rolled alloy. Heat-treated connecting pins with dirt seals. Hydraulic (grease) track adjusters with shock-absorbing recoil springs.

Numbers of Rollers and Shoes on Each Side

Upper rollers	1
Lower rollers	7
Track shoes	44
Track guards	1

Travel Device

Each track driven by 2-speed axial piston motor.

Parking brake is spring-set/hydraulic-released disc type.

Automatic transmission system: High-Low.

Travel speeds	High : 0 to 5.5 km/h
	Low : 0 to 3.3 km/h
Maximum traction force	117 kN
Gradeability	26 % (15 degree) continuous

SOUND LEVEL

Sound level in cab according to ISO 6396 LpA 69 dB(A)

External sound level according to ISO 6395 and

EU Directive 2000/14/EC LwA 99 dB(A)

SERVICE REFILL CAPACITIES

Fuel tank	220.0 L
Engine coolant.....	21.0 L
Engine oil.....	17.0 L
Swing device	3.2 L
Travel device (each side)	4.0 L
Hydraulic system	155.0 L
Hydraulic oil tank	60.0 L
DEF/AdBlue® tank	13.0 L

WEIGHTS AND GROUND PRESSURE

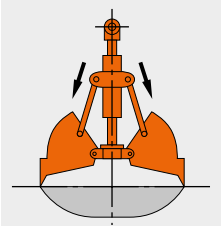
Equipped with type S-TC120-A-7 and 0.25 m³ clamshell bucket (ISO heaped)

Shoe type	Shoe width	Operating weight	Ground pressure
Triple grouser	500 mm	16 500 kg	52 kPa

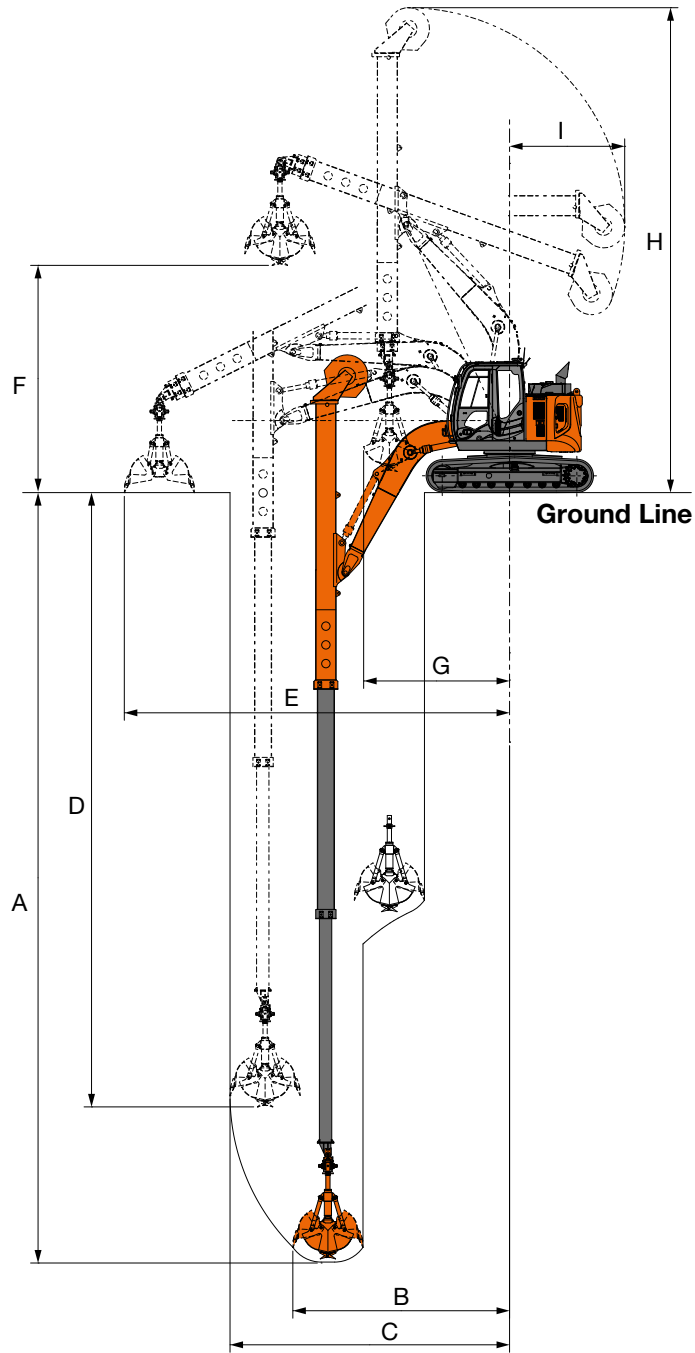
CLAMSHELL BUCKET

Bucket type		S-SP25-3
Bucket capacity	m ³	0.25
Max. digging force	kN (kgf)	38.0 (3 870)
Max. height	mm	1 990
Opened max. height	mm	1 740
Closed width	mm	1 100
Opened width	mm	1 500
Bucket width	mm	685
Teeth number		5
Weight	kg	570

Shell push type



WORKING RANGES



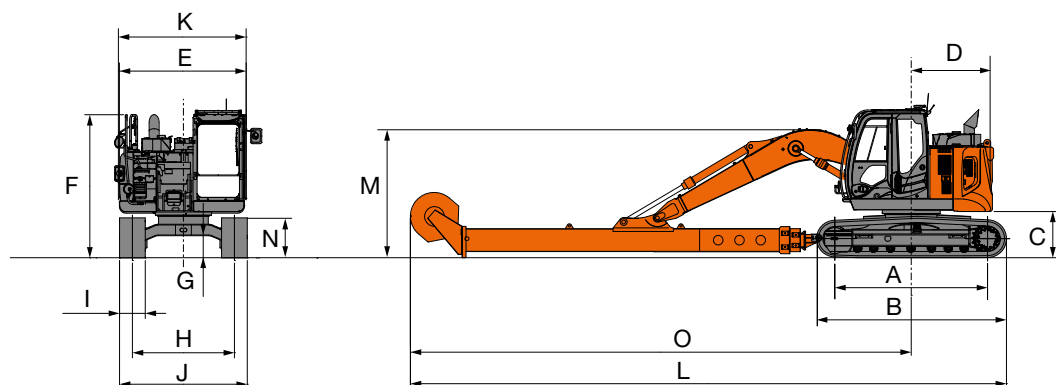
Unit: mm

Telescopic arm type	S-TC120-A-7
Telescopic arm system	Hydraulic cylinder
A Max. vertical digging depth	16 450
B Radius at max. vertical digging depth	4 630
C Max. vertical digging radius	5 970
D Depth at max. vertical digging radius	13 120
E Max. working radius	8 230
F Max. dumping height	4 830
G Min. front swing radius	3 120
H Height at min. front swing radius	10 360
I Front rear radius	2 460

Excluding track shoe lug

SPECIFICATIONS

DIMENSIONS

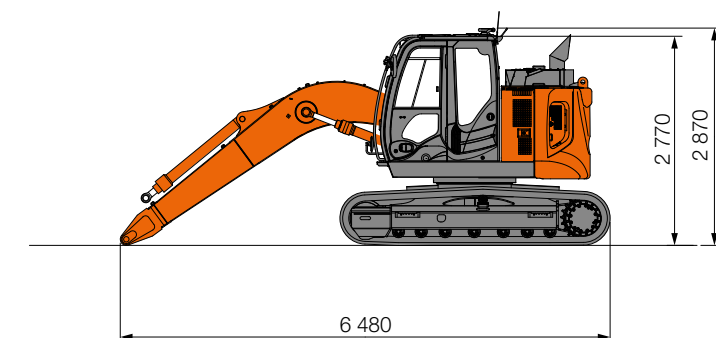


Unit: mm

A	Distance between tumblers	2 880
B	Undercarriage length	3 580
*C	Counterweight clearance	840
D	Rear-end swing radius	1 600
E	Overall width of upperstructure	2 480
F	Overall height of cab	2 790
*G	Min. ground clearance	410
H	Track gauge	1 990
I	Track shoe width	6 500
J	Undercarriage width	2 490
K	Overall width	2 490
L	Overall length	11 220
M	Overall height of boom	2 440
N	Track height with triple grouser shoes	790
O	Swing centre to front distance	9 430

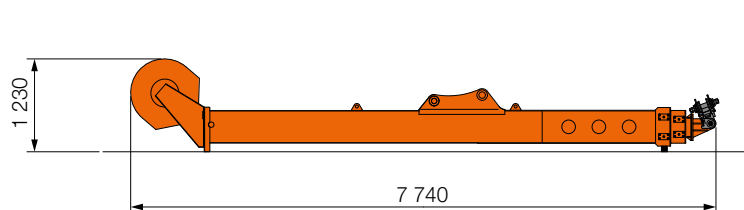
* Excluding track shoe lug G: Triple grouser shoe

TRANSPORTATION

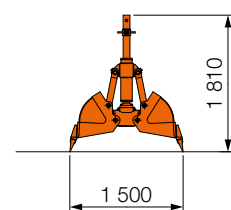


Unit: mm

Width : 2 490 mm
Weight : 13 700 kg



Width : 600 mm
Weight : 2 190 kg



Unit: mm

Width : 685 mm
Weight : 570 kg

EQUIPMENT

● : Standard equipment ○ : Optional equipment

ENGINE	
Aftertreatment device	●
Air cleaner double filters	●
Alternator 50 A	●
Auto idle system	●
Auto shut-down control	●
Cartridge-type engine oil filter	●
Cartridge-type fuel main filter	●
Cold fuel resistance valve	○
DEF/AdBlue® tank inlet strainer and extension filler	●
DEF/AdBlue® tank with ISO magnet adapter	●
Dry-type air filter with evacuator valve (with air filter restriction indicator)	●
Dust-proof indoor net	●
ECO/PWR mode control	●
Electrical fuel feed pump	●
Engine oil drain coupler	●
Expansion tank	●
Fan guard	●
Fuel cooler	●
Fuel pre-filter with water separator	●
Isolation-mounted engine	●
Maintenance free pre-cleaner	○
Radiator, oil cooler and intercooler	●

HYDRAULIC SYSTEM	
Auto power lift	●
Control valve with main relief valve	●
Extra port for control valve	●
Full-flow filter	●
High mesh full flow filter with restriction indicator	○
Hose rupture valve for arm	●
Hose rupture valve for boom	●
Pilot filter	●
Power boost	●
Suction filter	●

CAB	
All-weather sound suppressed steel cab	●
AM-FM radio	●
Ashtray	●
Auto control air conditioner	●
AUX terminal and storage	●
Cigarette lighter 24 V	●
CRES V (Center pillar reinforced structure) cab	●
Drink holder with hot & cool function	●
Electric double horn	●
Engine shut-off switch	●
Equipped with reinforced, tinted (green color) glass windows	●
Evacuation hammer	●
Fall prevention guard	●
Floor mat	●
Footrest	●
Front window washer	●
Glove compartment	●
Hot & cool box	●
Intermittent windshield wipers	●
Key cylinder light	●
Laminated round glass window	○
OPG front guard Level II (ISO10262) compliant cab	○
OPG top guard Level I (ISO10262) compliant cab	●
OPG top guard Level II (ISO10262) compliant cab	○
Pilot control shut-off lever	●
Power outlet 12 V	○
Rain guard	○
Retractable seat belt	●
ROPS (ISO12117-2) compliant cab	●
Rubber radio antenna	●
Seat :air suspension seat with heater	●
Seat adjustment part : backrest, armrest, height and angle, slide forward / back	●
Short wrist control levers	●
Sun visor (front window/side window)	○
Transparent roof with slide curtain	●
Windows on front, upper, lower and left side can be opened	●
2 speakers	●
4 fluid-filled elastic mounts	●

MONITOR SYSTEM	
Alarms: overheat, engine warning, engine oil pressure, alternator, minimum fuel level, hydraulic filter restriction, air filter restriction, work mode, overload, SCR system trouble, etc	●
Alarm buzzers: overheat, engine oil pressure, overload, SCR system trouble	●
Display of meters: water temperature, hour, fuel rate, clock, DEF/AdBlue® rate	●
Other displays: work mode, auto-idle, glow, rearview monitor, operating conditions, etc	●
32 languages selection	●
Side view monitor	●

LIGHTS	
Additional boom light with cover	○
Additional cab roof front lights	○
Additional cab roof rear lights	○
Rotating lamp	○
2 working lights	●

UPPER STRUCTURE	
Batteries 2 x 58 Ah	●
Battery disconnect switch	●
Body top handrail	●
Counterweight 4 300 kg	●
Fuel level float	●
Hydraulic oil level gauge	●
Lockable fuel refilling cap	●
Lockable machine covers	●
Lockable tool box	●
Platform handrail	●
Rear view camera	●
Rear view mirror (right & left side)	●
Side view camera	●
Skid-resistant plates and handrails	●
Swing parking brake	●
Undercover	●

UNDERCARRIAGE	
Bolt-on sprocket	●
Reinforced track links with pin seals	●
Shoe: 500 mm triple grouser	●
Track undercover	○
Travel direction mark on track frame	●
Travel motor covers	●
Travel parking brake	●
Upper and lower rollers	●
1 track guard (each side) and hydraulic track adjuster	●
2 track guards (each side) and hydraulic track adjuster	○
4 tie down brackets	●

FRONT ATTACHMENTS	
Clamshell bucket (0.25 m³)	●
Telescopic arm (16.5 m)	●

ATTACHMENTS	
Telescopic arm piping	●
Pilot accumulator	○

MISCELLANEOUS	
Global e-Service	●
Onboard information controller	●
Standard tool kit	●
Zoom camera	○



Prior to operating this machine, including satellite communication system, in a country other than a country of its intended use, it may be necessary to make modifications to it so that it complies with the local regulatory standards (including safety standards) and legal requirements of that particular country. Please do not export or operate this machine outside the country of its intended use until such compliance has been confirmed. Please contact your Hitachi dealer in case of questions about compliance.

These specifications are subject to change without notice. Illustrations and photos show the standard models, and may or may not include optional equipment, accessories, and all standard equipment with some differences in color and features. Before use, read and understand the Operator's Manual for proper operation.

